

ELYSIUM to Release CADdoctor SX for entry-level users

*High-fidelity translation, verification and geometry optimization tool
allows native CAD file review without an in-house CAD system*

HAMAMATSU, Japan, March 23, 2010—Elysium Co., Ltd., a leading global provider of design data exchange software, today announced the upcoming release of CADdoctor SX, a new translation and geometry optimization tool for all 3D CAD data users.

The CADdoctor SX family, available as of April 22, 2010, is made up of four suites: The first is simply for CAD-to-CAD translation. The second is for translation and geometry simplification for FEM. The third is for preparation of molding die design and machining. And the fourth is for reverse engineering (RE). By using a 'Plus-two' package, you can import and export native CAD file without the CAD system.

These sophisticated 3D data handling techniques in CADdoctor SX refined through the development of CADdoctor EX, the leading flagship data verification tool widely accepted by major corporations worldwide, provide entry-level users with high fidelity translation and superior performance, yet at a reasonable cost.

Since so many industries today depend on 3D tools at every stage of the product design and manufacturing process, interoperability between all data types (such as point cloud, polygon and CAD) is critical.

“Each function within CADdoctor SX has been developed through long-term, onsite use in major manufacturers in Japan,” said Sakae Morita, General Manager of Elysium Co., Ltd. “This new product will help manufacturers streamline their workflows and dramatically increase efficiency.”

■ **The major features of each suite within CADdoctor SX**

1. Trans Suite (for translation)

Trans/TransPlus2 is the basic package for 3D CAD-to-CAD translation. With this suite, users can translate any source CAD file into another CAD file. Thanks to a direct interface for each CAD system, users don't have to prepare their own CAD file in order to receive/output native CAD data.

2. FEM Suite (for finite element modeling)

FEM/FEMPlus2 is the all-round package for 3D CAD users who make preparations for FEM analysis and Digital Mock Up. In addition to CAD-to-CAD translation, users have geometry simplification for making 3D CAD models suitable for FEM analysis. For example, users can readily detect features in a model that are not necessary for FEM analysis such as 'Fillet,' 'Chamfer' or 'Hole' and remove them. An 'Envelop Solid' function to extract the contour of an assembly model is also available. In addition to handling B-rep (usual CAD models), the suite is also useful for the handling of polygon data, including importing, quality checking, healing and exporting. This will help in the downsizing of polygon files as well as the smoothing of polygon represented surface boundaries.

3. Mold Suite (for tool and moldmaking)

Mold/MoldPlus2 is the all-round package for 3D CAD users who design injection molding dies or make preparations for machining. With this suite, users can operate not only CAD-to-CAD translation but the geometry simplification and advanced verification needed to ensure mold manufacturability and manufacturing quality. For example, a user can easily detect and remove unnecessary fillets to prevent failure at taper shape. It is also easy to detect features, in advance, that will cause problems, such as 'Undercut' or 'Thin wall.'

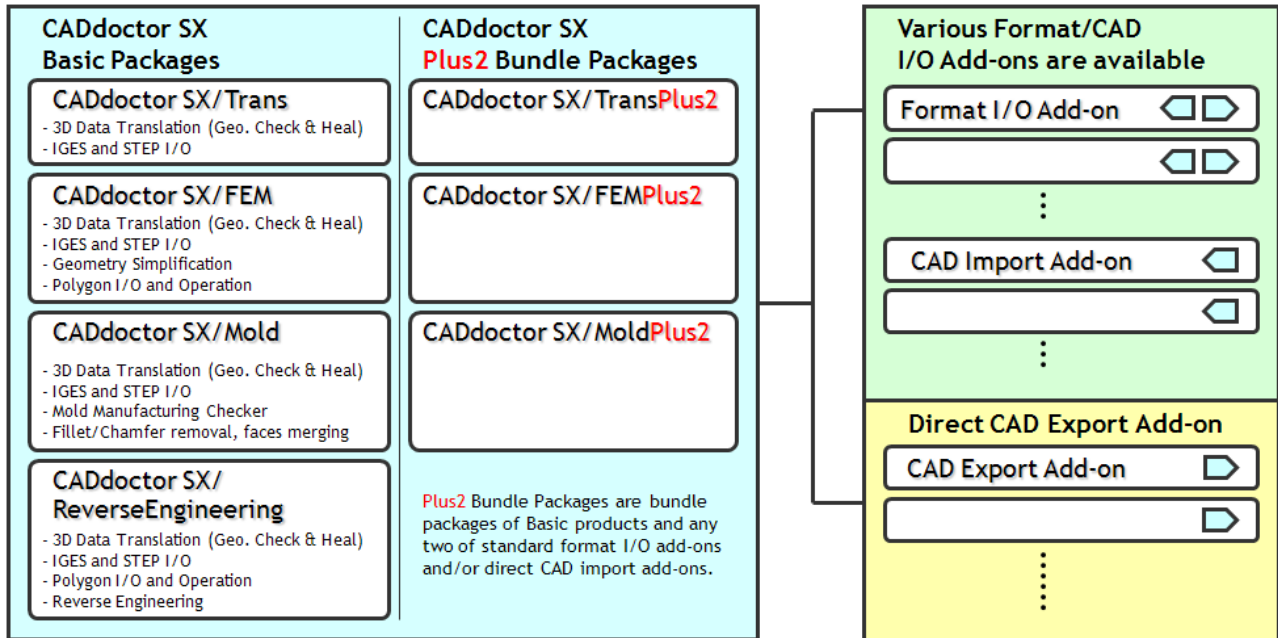
4. RE (for reverse engineering)

RE is an all-round package for handling polygon files for 3D CAD users who uses a 3D measuring machine to execute reverse engineering. With this suite, users can generate B-rep (CAD) models from polygon files, generate polygon files from point cloud files and modify CAD data to fit polygon data. This suite is also useful for interchange between FEM results and original CAD data.

■ **CADdoctor SX function list**

	3D data translation		Simplification		Polygon	RE	QFM
	Check	Heal	Remove Feature	Shrink wrap			
Trans/TransPlus2	○	○					
FEM/FEMPlus2	○	○	○	○	○		
Mold/MoldPlus2	○	○	○				○
ReverseEngineering	○	○			○	○	

■ **Product configuration of CADdoctor SX**



■ **Release date**

First Customer Shipment will be released on 22nd April, 2010.

■ **Remark**

All brand names and product names are trademarks or registered trademarks of their respective companies.

■ **Contact information**

For further information about CADdoctor SX capabilities and Plus2 options, please visit www.elysium-global.com

Contact about this release: Marketing Group of Elysium Co., Ltd. < marketing@elysium.co.jp >

ELYSIUM Co., Ltd.

Press Tower, 11-1, Asahicho, Nakaku, Hamamatsu, Shizuoka, Japan
 TEL: +81 (0) 53-413-1013 / FAX: +81 (0) 53-413-1018